

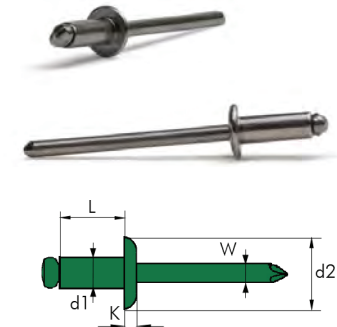
CERTIFIX RDH DOME HEAD, STANDARD RIVET (A2 & A4 STAINLESS STEEL DIN 7337/ISO 15983)

PRODUCT DESCRIPTION

Certifix stainless steel dome head rivets are a safe, resistant, and versatile fastening solution for joining two pieces of material, especially in applications where only one side is accessible. Made from corrosion-resistant 304 or 316 stainless steel, these rivets are ideal for applications with adverse weather conditions. The dome head provides a wide bearing surface, suitable for various materials, while the standard rivets offer a wide grip range and fast, simple installation.

APPLICATIONS

- Automotive, bodywork, truck aluminium sidewalls, tarpaulins, industrial vehicle sectors.
- Construction of ventilated facades, profiles, lifelines, metal structures, roofs and facilities.
- Air conditioning, HVAC, lifting, furniture, gutters, containers, electrical appliances and home and industrial appliances.



PRODUCT FEATURES

- Domes head: Versatile retention of most materials.
- Stainless steel: High corrosion resistance.



Product Code	Head Dia. (d2)	Body Dia. (d1)	Body Length (L)	Grip Range	Drill Hole Dia.	Pack Size	Body	Mandrel	Shear	Tensile
R7337-2/2-4.8*10	9mm	4.8mm	10mm	4.0-6.0mm	4.9 mm	500	A2 Stainless AISI 304	A2 Stainless AISI 304	4000 N	5000 N
R7337-2/2-4.8*12	9mm	4.8mm	12mm	6.0-8.0mm	4.9 mm	250	A2 Stainless AISI 304	A2 Stainless AISI 304	4000 N	5000 N
R7337-4/4-4.8*10	9mm	4.8mm	10mm	4.0-6.0mm	4.9 mm	500	A4 Stainless AISI 316	A4 Stainless AISI 316	4000 N	5000 N
R7337-4/4-4.8*12	9mm	4.8mm	12mm	6.0-8.0mm	4.9 mm	250	A4 Stainless AISI 316	A4 Stainless AISI 316	4000 N	5000 N

NOTE: The results expressed in this document are determined from empirical testing. Specifiers, end-users and other third parties should make their own decision(s) on what safety factors to use relevant to their design(s)/ application(s). This document is provided, strictly: without prejudice, without recourse, without liability, non-assumpsit, no assured value, errors and omissions excepted, subject to change without notice and all rights reserved.
 ©Certifix Ltd, 2023