

CERTIFIX CFW BONDED EPDM WASHER

A4 stainless 6.7 × 19mm

SKU: CFW4 6.7×19

PRODUCT DESCRIPTION

EPDM bonded washers can be used with a variety of screws for mitigating water ingress and weather sealing. Made from EPDM and A4 stainless steel.



APPLICATIONS

- For mitigating water ingress and weather sealing
- Marine
- Greater support and stability for screw head and fixture
- Isolating dissimilar metals

PRODUCT FEATURES

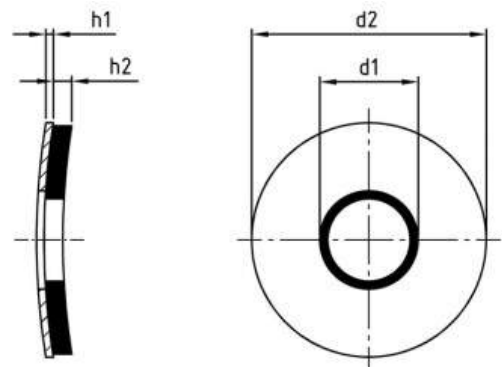
- Circular, arched head
- Material: EPDM & A4 stainless steel
- Washer diameter of 19mm
- For flat head screws

PRODUCT BENEFITS

- Weather proofing of screw fixing points.

TECHNICAL DATA

Outer diameter (d2):	19 mm
Inner diameter (d1):	6.7 mm
Height (h1):	0.8 mm
Height (h2):	2 mm



NOTE: The results expressed in this document are determined from empirical testing. Specifiers, end-users and other third parties should make their own decision(s) on what safety factors to use relevant to their design(s)/ application(s). This document is provided, strictly: without prejudice, without recourse, without liability, non-assumptit, no assured value, errors and omissions excepted, subject to change without notice and all rights reserved.
 ©Certifix Ltd, 2023