



certifix
YOUR FIXING SPECIALIST

Certifix Full Nut DIN 934

A4 Stainless M10

PRODUCT DESCRIPTION

Made from A4 stainless steel, our M10 Full Nuts are designed for external use and suitable for some corrosive environments.

Note: Always check with Certifix when you encounter a corrosive environment.

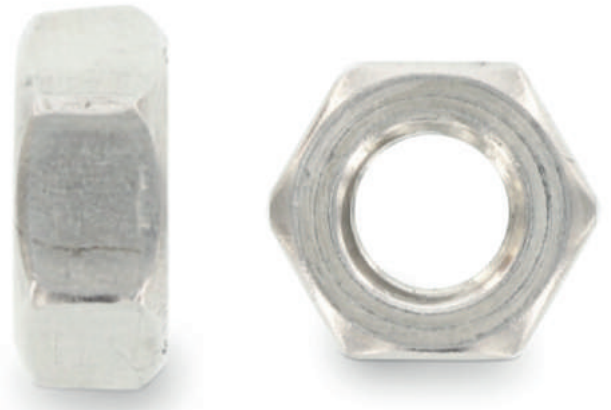


APPLICATIONS

For use with M10 male type threaded products.

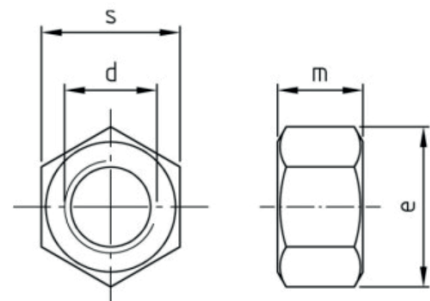
PRODUCT FEATURES

- 8mm height
- A/F17 Drive
- 10mm Diameter
- 700 N/mm² tensile strength
- 18.9mm corner measurement



PRODUCT BENEFITS

- A4 Stainless steel: High corrosion resistance in external environment.



NOTE: The results expressed in this document are determined from empirical testing. Specifiers, end-users and other third parties should make their own decision(s) on what safety factors to use relevant to their design(s)/ application(s). This document is provided, strictly: without prejudice, without recourse, without liability, non-assumptit, no assured value, errors and omissions excepted, subject to change without notice and all rights reserved.
©Certifix Ltd, 2023

