



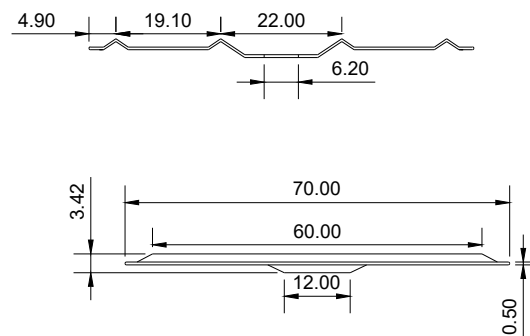
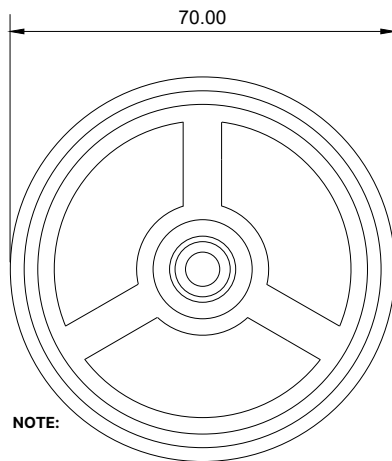
STAINLESS STEEL STRESS PLATE

These Stress Plates are designed for use with Heavy Duty Screws, Tek screws and Masonry anchors. Stress plates are used when fixing insulation and single ply materials to help distribute load and prevent the material being fastened from pulling over the head of the fastener. Insulation plates are also used when mechanically attaching rigid form insulation to roof decks. The design of the insulation plate allows it to flex during installation if a fastener is overdriven preventing damage to the insulation board.

Oval stress plates; sometimes called lap plates, are used when mechanically attaching single ply material in the area of the lap or seam.



Stainless steel stress plate nominal dimension information			
Part Number	Form	Nominal Thickness (mm)	Nominal Dimensions (mm)
ID2-70	Round	0.7	70.0



The results expressed in the datasheet are taken as mean loads from a range of empirical tests and are ultimate unfactored loads. Each specifier or end user should make his/ her own decision on what safety factors to use relevant to their design application (such as BS 5950, EN 1991, etc).

